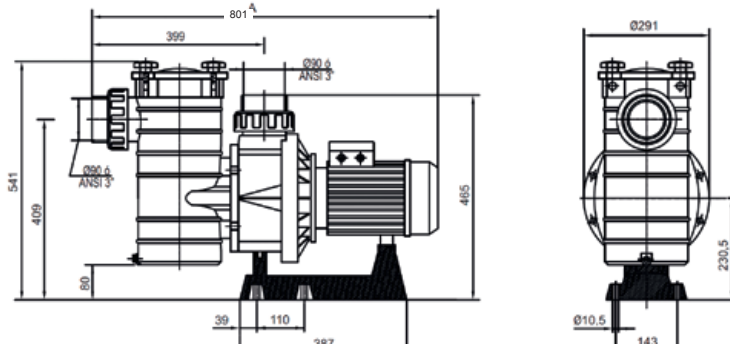




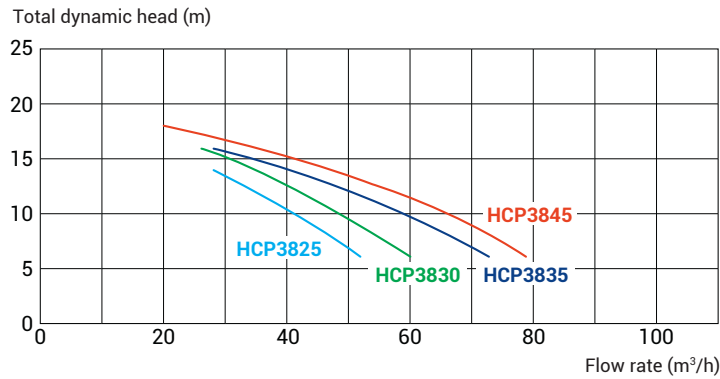
**IE3** ✓

## High-performance pumps

- Pump made of glass-fibre reinforced thermoplastics
- Lightweight and easy to install
- The three-phase motors are compliant with the IE3 standard
- Turbine made of reinforced Noryl suitable for salt water
- High-performance TEFC motor
- Strainer with transparent cover for easy maintenance
- Elevated base to ensure proper motor ventilation
- Operates at 50 Hz / 2850 rpm, IP55, class F insulation
- Usages: large pools, spas, water features
- Option: 60 Hz version (please contact us)



### ➤ HCP 3800 SERIES Curves



HCP 3800 SERIES

Reference	Type (HP)	Input power P1 (kW)	Flow rate* (m³/h)	Inlet / Outlet (mm)	Weight (kg)	Model	Amperage (A)
HCP38251E	2.5	2.3	41	80 / 90	25.5	Single-phase 230V	12.4
HCP38301E	3	2.76	48	90	26.2	Single-phase 230V	14.5
HCP38253E1	2.5	2.3	41	80 / 90	25.5	Three-phase 230 / 400V	8.3 / 4.8
HCP38303E1	3	2.76	48	90	26.2	Three-phase 230 / 400V	8.8 / 5.1
HCP38353E1	3.5	3.7	58	90	30.5	Three-phase 230 / 400V	10.4 / 6.0
HCP38453E1	4.5	4.3	66	90	30.5	Three-phase 230 / 400V	11.7 / 6.75
HCP38253E	2.5	-	41	90	-	Three-phase 230 / 400V	8.3 / 4.8
HCP38303E	3	-	48	90	-	Three-phase 230 / 400V	8.8 / 5.1
HCP38353E	3.5	-	58	100	-	Three-phase 230 / 400V	10.4 / 6.0
HCP38453E	4.5	-	66	100	-	Three-phase 230 / 400V	11.7 / 6.75

**IE3** ✓

**IE3** ✓

**IE3** ✓

**IE3** ✓

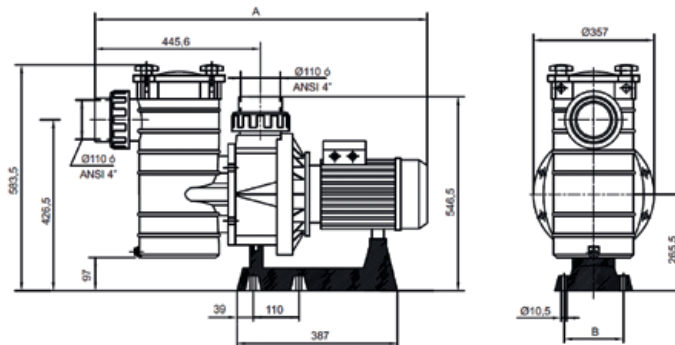
\* under 10m water column pressure



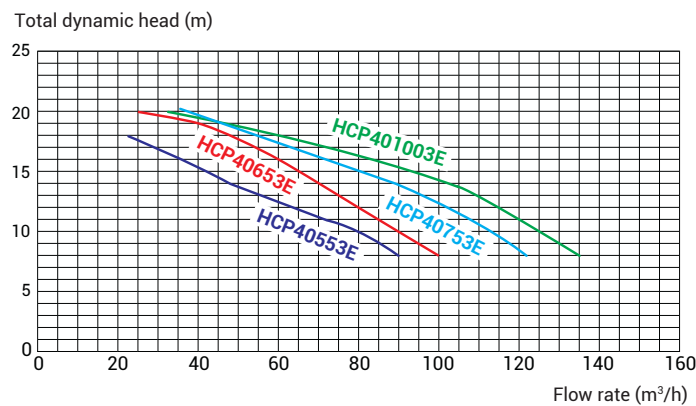
IE3 ✓

## High-capacity pumps

- Self-priming centrifugal pump made of **glass-fibre reinforced thermoplastics**
- **Lightweight and easy to install**
- **The three-phase motors are compliant with the IE3 standard**
- High-performance hydraulics
- Turbine made of reinforced Noryl **suitable for salt water**
- **High-performance TEFC motor**
- **High-capacity strainer (14 l) with transparent cover** for easy maintenance
- Elevated base to ensure **proper motor ventilation**
- **Wide power range: from 5.5 hp to 10 hp**
- **Operates at 50 Hz / 2850 rpm, IP55, class F insulation**
- **Usages: very large pools, spas, water features**
- **Option: 60 Hz version (please contact us)**



### ➤ HCP 4000 SERIES Curves



Reference	Type (HP)	Input power P1 (kW)	Flow rate* (m <sup>3</sup> /h)	Inlet / Outlet (mm)	Weight (kg)	Motor	Amperage (A)	Dim A (mm)	Dim B (mm)
HCP40553E1	5.5	4.71	64.0	100	45	Three-phase 400 / 700V	9.0 / 5.2	889	143
HCP40653E1	6.5	5.75	84.2	100	46	Three-phase 400 / 700V	11.5 / 6.6	914	143
HCP40753E1	7.5	7.00	104.5	112	52	Three-phase 400 / 700V	12.1 / 7.0	914	143
HCP401003E1	10	8.70	115.6	132	66	Three-phase 400 / 700V	15.8 / 9.2	944	185
HCP40553E	5.5	-	64.0	112	-	Three-phase 400 / 700V	9.0 / 5.2	889	143
HCP40653E	6.5	-	84.2	112	-	Three-phase 400 / 700V	11.5 / 6.6	914	143
HCP40753E	7.5	-	104.5	112	-	Three-phase 400 / 700V	12.1 / 7.0	914	143
HCP401003E	10	-	115.6	132	-	Three-phase 400 / 700V	15.8 / 9.2	944	185

HCP 4000 SERIES

\* under 12m water column pressure

IE3 ✓

IE3 ✓

IE3 ✓

IE3 ✓