

High Density Fiberglass Sand Filters are constructed by the latest Engineering Technology. The improvement of flow ability provides an Ultra-pure water filtration. The Fiberglass winding design allows the Filter to have extra strength and resistance to chemical and corrosives.

High Density Fiberglass Sand Filters are the most recommendable equipment for the application of water and industrial water treatment.

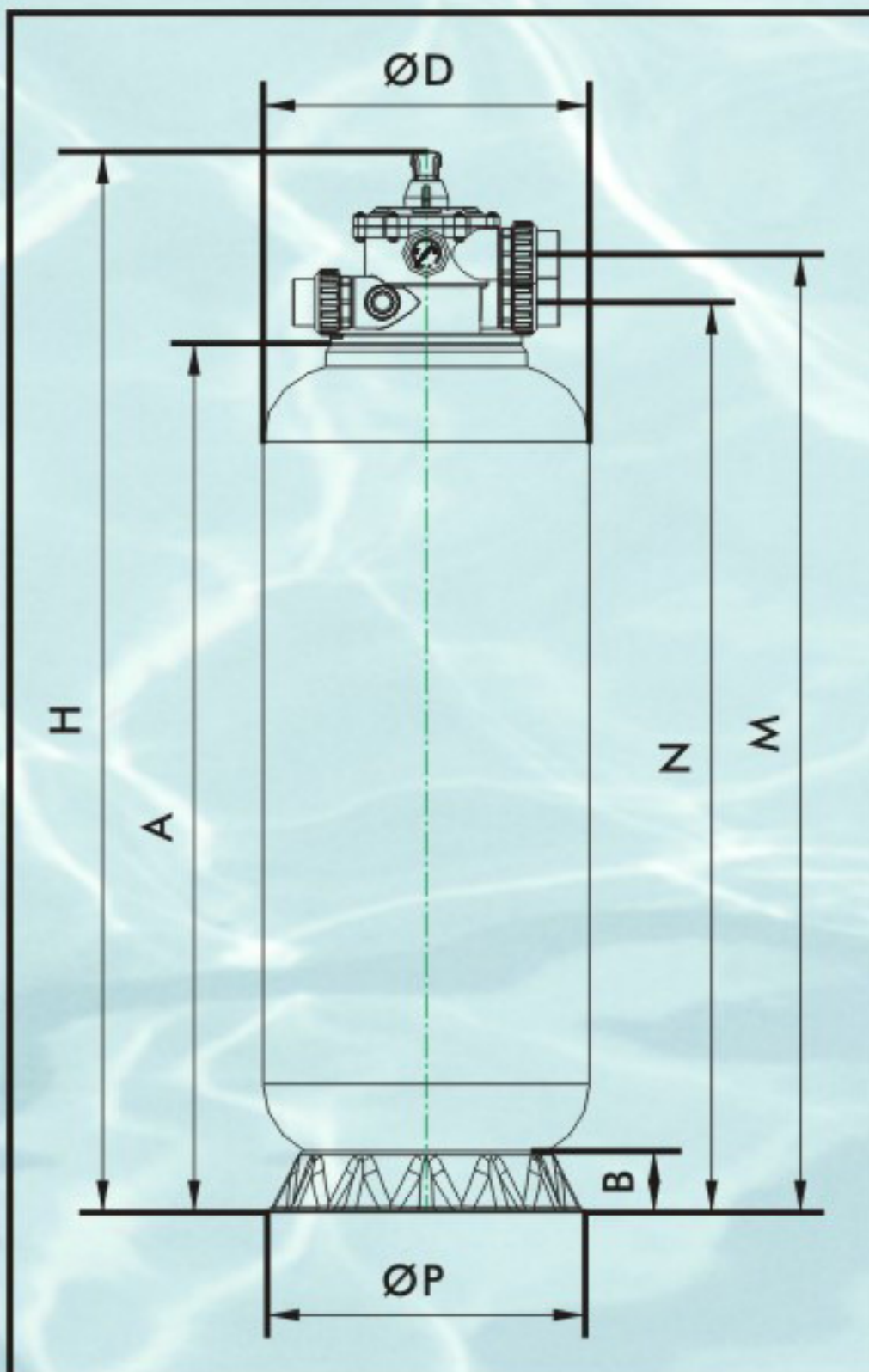


FILTRATION BED HEIGHT 1.2 m

Maximum temperature: 50°C(122°F)

Maximum working pressure: 4kg/cm²

Diameter	Height	Outlet Ø	Flow	Model	Standard Packaging	Standard Volume
mm	mm	mm	m ³ /h			m ³
400	1,300	40	4.55	HP13400	1	0.34
450	1,300	40	5.60	HP13450	1	0.41
500	1,300	40	7	HP13500	1	0.49
600	1,300	40	9.80	HP13600	1	0.68
700	1,300	40	13.30	HP13700	1	0.89
400	1,500	40	3.90	HP15400	1	0.38
450	1,500	40	4.80	HP15450	1	0.47
500	1,500	40	6	HP15500	1	0.56
600	1,500	40	8.40	HP15600	1	0.77
700	1,500	40	13.30	HP15700	1	1.02



ØD	mm	400	450	500	600	700	400	450	500	600	700
H	mm	1,300	1,300	1,300	1,300	1,300	1,500	1,500	1,500	1,500	1,500
B	mm	75	75	75	95	95	75	75	75	95	95
A	mm	1,062	1,062	1,062	1,062	1,062	1,262	1,262	1,262	1,262	1,262
ØP	mm	390	390	390	565	565	390	390	390	565	565
N	mm	1,115	1,115	1,115	1,115	1,115	1,315	1,315	1,315	1,315	1,315
M	mm	1,174	1,174	1,174	1,174	1,174	1,374	1,374	1,374	1,374	1,374
Filtration area	m ²	0.13	0.15	0.20	0.28	0.37	0.13	0.15	0.20	0.28	0.37
Sand 0.4-0.8 mm	kg	112	143	172	230	325	141	185	225	307	430
Standard Weight	kg	23	26	30	33	41	28	31	34	38	46