

“WL-ADG” SERIES FILTERS

Top mount sand vertical filters are built to be tougher, longer lasting and better performing. Constructed of polyester resin and non-corrosive extra-thick fiberglass filament winding, all internal components and connections are injection molded PVC. UV-resistance surface allows working under sunshine. Easy-to-use sixposition valve makes you select any of the valve/filter operation in a proper way.

- ⦿ FILTER (Normal filtration and vacuuming).
- ⦿ BACKWASH (Clean filter by reversing the flow).
- ⦿ RINSE (Used after backwash to flush dirt from valve).
- ⦿ WASTE (By-passes filter, used for vacuuming to waste or lowering water level).
- ⦿ RECIRCULATE (By-passes filter for circulating water to pool).
- ⦿ CLOSE .

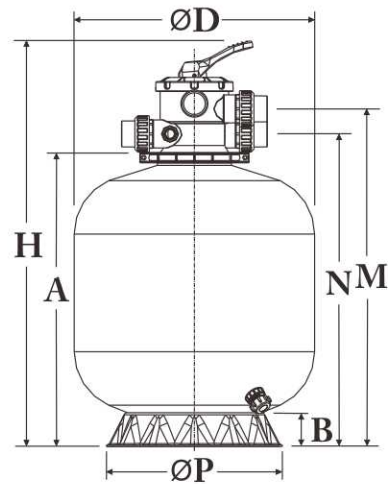


Standard: plastic clamp



Optional:
stainless steel clamp maximum working
pressure:50psi

ϕD (mm)	350	410	450	535	635	710
H(mm)	750	770	830	870	970	1040
B(mm)	75	75	75	75	95	95
A(mm)	490	510	570	610	710	780
ϕP (mm)	319	319	390	390	565	565
N(mm)	545	565	625	665	765	835
M(mm)	600	620	680	720	820	890



Model	Pipe Size (inches)	Filter Area (m ²)	Design Flow (m ³ /h)	0.5-0.8mm Sand Weight (kg)	Tank Volume (m ³)	Valve Volume (m ³)	Tank Weight (kg)	Valve Weight (kg)
WL-ADG350	1.5	0.10	4.5	25	0.06	0.02	4.5	3
WL-ADG400	1.5	0.13	6.5	34	0.09	0.02	5.5	3
WL-ADG450	1.5	0.16	8.0	50	0.15	0.02	7.0	3
WL-ADG500	1.5	0.23	11.5	80	0.20	0.02	9.8	3
WL-ADG650	1.5	0.32	16.0	160	0.32	0.02	13.0	3
WL-ADG700	1.5	0.40	20.0	220	0.42	0.02	18.5	3

STANDARD: MAXIMUM WORKING PRESSURE: 36psi/2.5kg/cm²

MAXIMUM OPERATING WATER TEMPERATURE≤50°C

MAXIMUM TESTING PRESSURE:60psi