

Fiberglass Sand Filters are constructed by the latest Engineering Technology. The improvement of flow ability provides an Ultra-pure water filtration. The Fiberglass winding design allows the Filter to have extra strength and resistance to chemical and corrosives.

Fiberglass Sand Filters are the most recommendable equipment for the application of swimming pool and spa.

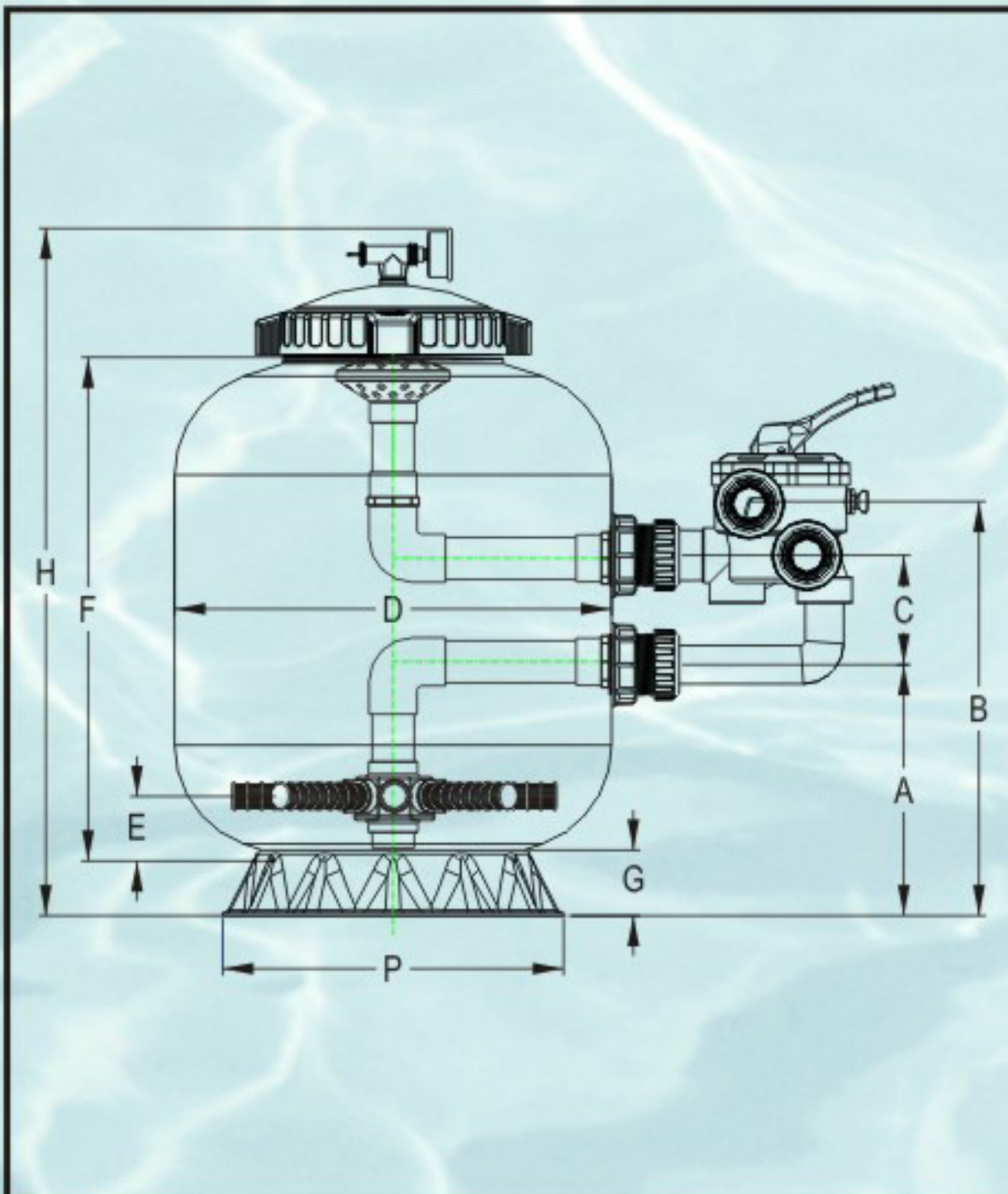


FILTRATION BED HEIGHT 0.6 m

Maximum temperature: 50°C(122°F)

Maximum working pressure: 2.5kg/cm²

Diameter	Outlet Ø	Flow	Model	Standard Packaging	Body Standard Volume m ³	Body Standard Weight kg	Valve Standard Volume m ³	Valve Standard Weight kg
mm	mm	m ³ /h						
450	40	7	KS450	2	0.14	15	0.01	2.6
500	40	10.50	KS500	2	0.19	17	0.01	2.6
650	40	14.50	KS650	2	0.32	25	0.01	2.6
700	40	18.50	KS700	2	0.45	30	0.01	2.6
800	50	24.50	KS800	2	0.68	44	0.02	3.8
900	50	30	KS900	2	0.91	50	0.02	3.8
1,000	50	35.60	KS1000	2	1.47	64	0.02	3.8
1,100	50	44.10	KS1100	2	1.97	69	0.02	3.8
1,200	50	50.30	KS1200	2	2.41	91	0.02	3.8
1,400	50	61.2	KS1400	2	3.76	111	0.02	3.8



ØD	mm	450	500	650	700	800	900	1,000	1,100	1,200	1,400
H	mm	715	770	848	950	1,050	1,145	1,230	1,330	1,430	1,680
B	mm	434	471	484	544	695	745	795	845	890	1,000
A	mm	250	287	300	360	400	450	500	550	595	705
ØP	mm	390	390	565	565	690	760	830	980	980	1,240
C	mm	125	125	125	125	220	220	220	220	220	220
G	mm	75	75	95	95	150	150	150	190	190	190
E	mm	90	90	90	90	110	110	110	110	110	110
F	mm	480	530	600	700	660	750	835	1,035	1,035	1,285
Filtration area	m ²	0.14	0.20	0.30	0.37	0.50	0.64	0.79	0.98	1.13	1.53
Pool approx.	m ³	50-65	65-95	95-130	130-165	165-200	200-240	240-265	265-300	300-360	360-490
Sand 0.4-0.8 mm	kg	56	90	170	225	380	453	712	975	1,220	1,720