

## Fittings

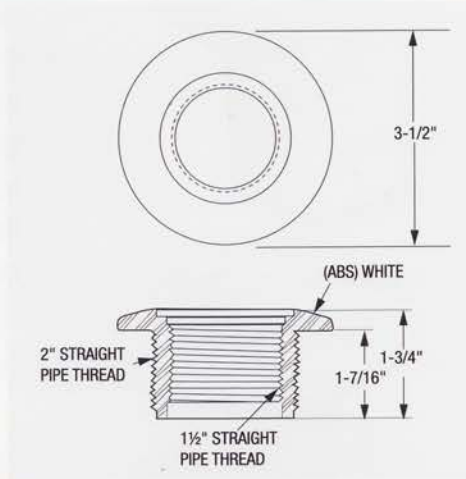
Hayward fittings are manufactured to the highest standards of design and material to provide extra durability and long lasting performance. All are manufactured by Hayward of high quality, UV resistant, ABS and have been installed by pool professionals throughout the world setting the standard for excellence and value.



### Vacuum Fitting/ Receptacle For Concrete Pools



SP-1022\* 1 1/2" FIP, White  
SP-1022S 1 1/2" Socket, White.



### Directional Flow Inlet Fittings



SP-1419B Hydrostream 3/8" opening  
SP-1419C Hydrostream 1/2" opening  
SP-1419D Hydrostream 3/4" opening  
SP-1419E Hydrostream 1" opening

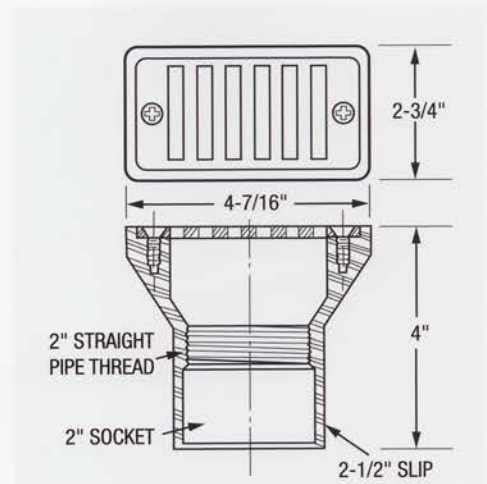
### Extended Flange Directional Flow Eyeball Fitting



SP1418D 1 1/2" MIP Hydrostream 3/4" opening  
SP1422D 1 1/2" slip Hydrostream Insider 3/4" opening  
SP1422E 1 1/2" slip Hydrostream Insider 1" opening

Type 1422D-2" Hydrostream Insider Fitting  
for 2" Schedule 40 PVC pipe

### Gutter Drain Attractive and Streamlined



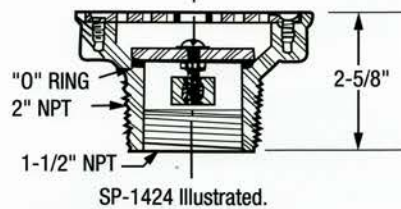
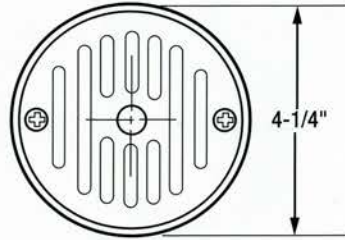
Model No.	Description
SP-1019	2" FIP plus 2" Socket Connection. White Body and Grate.

## Wall Inlets

Adjustable and Non-Adjustable



White Body and Grate.



Model No.	Description	
SP-1424	Adj.	1 1/2" FIP x 2" MIP
SP-1424S	Adj.	1 1/2" SKT x 2" MIP

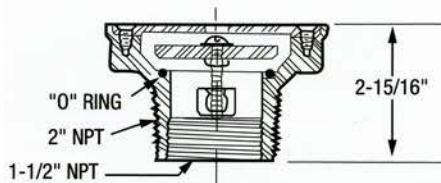
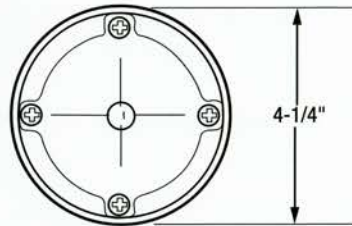
SP-1424 provides full range of flow adjustments, line testing and winterizing. Internal spinner valve disc and O-Ring is adjustable thru center hole in grate.

## Floor Inlet

Fully Adjustable



White Body and Flusher Diffuser Plate.



Model No.	Description	
SP-1425		1 1/2" FIP x 2" MIP
SP-1425S		1 1/2" SKT x 2" MIP

Installs in pool floor to provide uniform, efficient, high velocity 360° distribution of water. Top diffuser plate is stationary and automatically provides proper flow angle away from floor to prevent staining or erosion. A full range of tamperproof flow settings, plus line testing and winterizing, is achieved by means of an internal spinner valve disc and O-Ring seal.



### All-Purpose Plug



SP-1022-C  
1 1/2" All-Purpose Plug, White, with  
O-Ring.

### Flush Plug



SP-1022-B  
1 1/2" Plug, White, with gasket.

### Grate Insert



SP-1026  
1 1/2" MIP,  
Installs in any 1 1/2" FIP wall inlet

To take a closer look at Hayward White Goods, go to  
[www.haywardpool.com](http://www.haywardpool.com)



International Marketing Group  
2875 Pomona Blvd | Pomona, CA 91768 USA