

## CERTIFICATION OF COMPLIANCE

Contains: **WG1048E** or **WG1048EW** Description: 8" Round Suction Outlet Cover

Ratings: Floor: 125 GPM Wall: 72 GPM Open Area: 8.1 sq-in

Certified to Comply with Section 1404 of the Virginia Graeme Baker Act (VGB) Pool & Spa Safety Act  
Test Results can be obtained from: [www.Haywardnet.com](http://www.Haywardnet.com) and/or <http://www.nsf.org/Certified/Pool/>

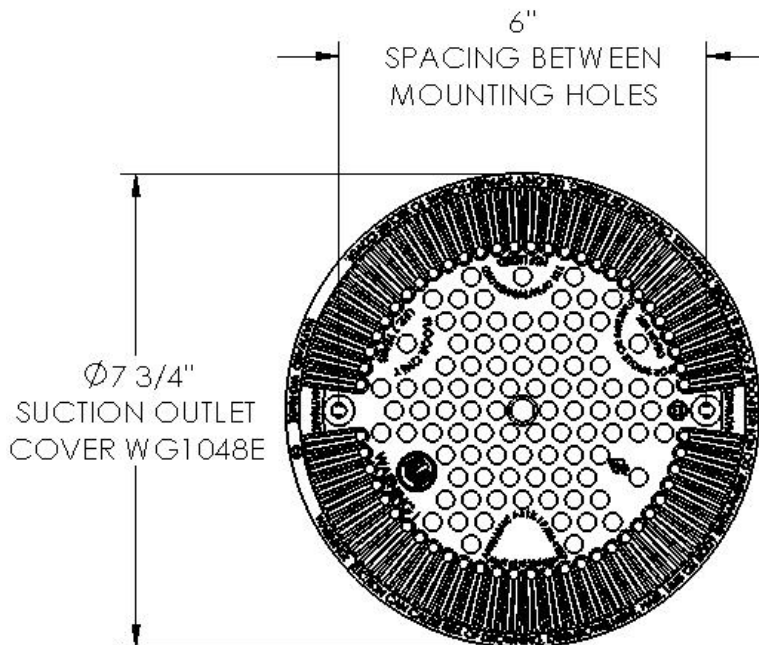
Manufactured: After December 20, 2008, by Hayward Pool Products in Jiangsu Province, China and Clemmons, NC Divisions of Hayward Industries, Inc. 620 Division Street, Elizabeth, NJ 07207, Phone 908-355-7995

Date of Mfr: The Lot Number shown on the product label contains the Year & Month of manufacture. The first number represents the year (ex 8 = 2008) and the second character the month (A=Jan, B=Feb, H=Aug, I is skipped, J=Sep, etc)

Tested to ANSI/ASME 112.19.8-2007 (addendum 8a-2008) per Section 1404 of the Virginia Graeme Baker Act (VGB) Pool & Spa Safety Act. Certified by NSF International, 789 N. Dixboro, Road, Ann Arbor, MI. 48105 1(800)-NSF-MARK.

Date of Installation: \_\_\_\_\_

ISWG1048COC Rev B



### USED ON FOLLOWING SERIES:

<b>WG1030AVPAK2</b>	<b>SP1030AVPAK2</b>
<b>WG1048AVPAK2</b>	<b>SP1048AVPAK2</b>
<b>WG1049AVPAK2</b>	<b>SP1049AVPAK2</b>
<b>WG1051AVPAK2</b>	<b>SP1051AVPAK2</b>
<b>WG1052AVPAK2</b>	<b>SP1052AVPAK2</b>
<b>WG1053AVPAK2</b>	<b>SP1053AVPAK2</b>
<b>WG1054AVPAK2</b>	<b>SP1054AVPAK2</b>
<b>WG1153AVPAK2</b>	<b>SP1153AVPAK2</b>
<b>WG1154AVPAK2</b>	<b>SP1154AVPAK2</b>