


5PSP 3,5 - 4,5 - 5,5 HP

5PSP 7,5 - 10 HP

PSP™-SERIES

COMMERCIAL PLASTIC

SELF-PRIMING PUMPS

FEATURED HIGHLIGHTS

- Self-priming pumps.
- Especially designed for swimming pool, aquatic and aquaculture applications.
- Seawater approved up to 4% salt concentration.
- Available with or without large pre-filter.
- Injection molded components of high quality glass-reinforced thermoplastic.
- CE & TÜV approved, IP55 protected, IE2 compliant TEFC motor.
- Corrosion resistant, high grade stainless steel motor shaft.
- Included connections are metric slip fit 110mm ID inlet and 90mm ID - outlet for 3,5 to 5,5 HP versions and 110 mm ID outlet for 7,5 and 10 HP versions.
- High chemical resistance with all metal internal components being stainless steel.
- 2850 RPM Motor.

ORDERING INFORMATION

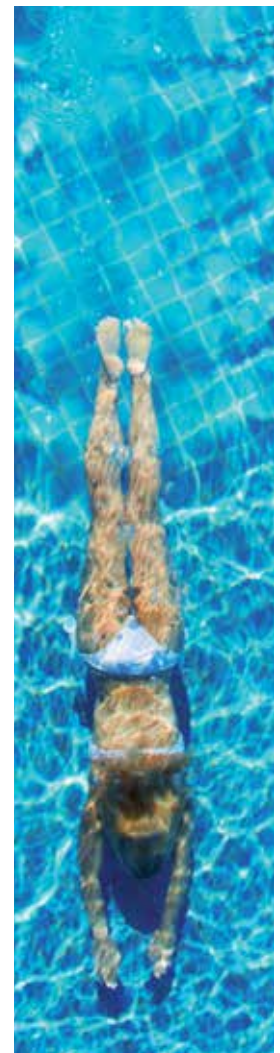
Model	Volt	HP	KW	Port Size Metric ISO / DIN INLET	Port Size Metric ISO / DIN OUTLET	Weight	BOX Dimensions (mm)
-------	------	----	----	--	---	--------	---------------------------

Three Phase Pool Pumps with PRE-Filter

5PSP-350-3	λ 380V	3,50	2,60	110mm	90mm	32,40 Kg	860 x 375 x 600
5PSP-450-3	λ 380V	4,50	3,30	110mm	90mm	35,30 Kg	860 x 375 x 600
5PSP-550-3	λ 380V	5,50	4,00	110mm	90mm	35,50 Kg	860 x 375 x 600
5PSP-750-3	Δ 380V	7,50	5,60	110mm	110mm	68,60 Kg	950 x 445 x 635
5PSP-1000-3	Δ 380V	10,00	7,50	110mm	110mm	75,90 Kg	950 x 445 x 635

Three Phase Pool Pumps without PRE-Filter

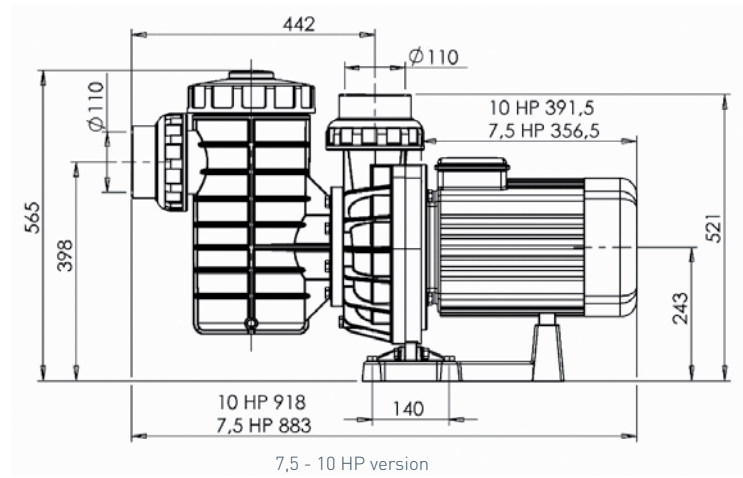
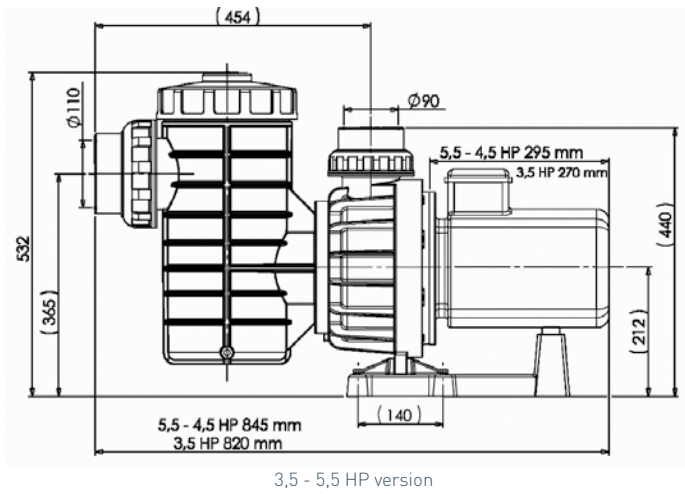
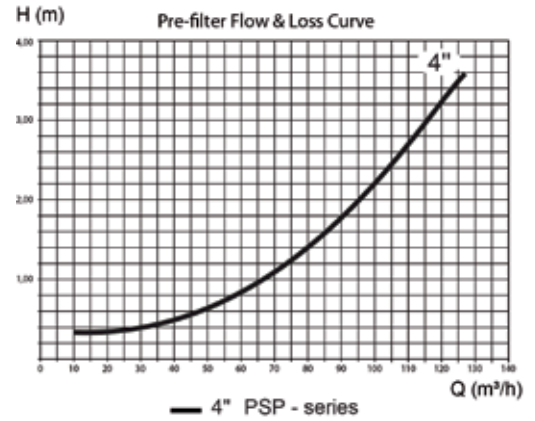
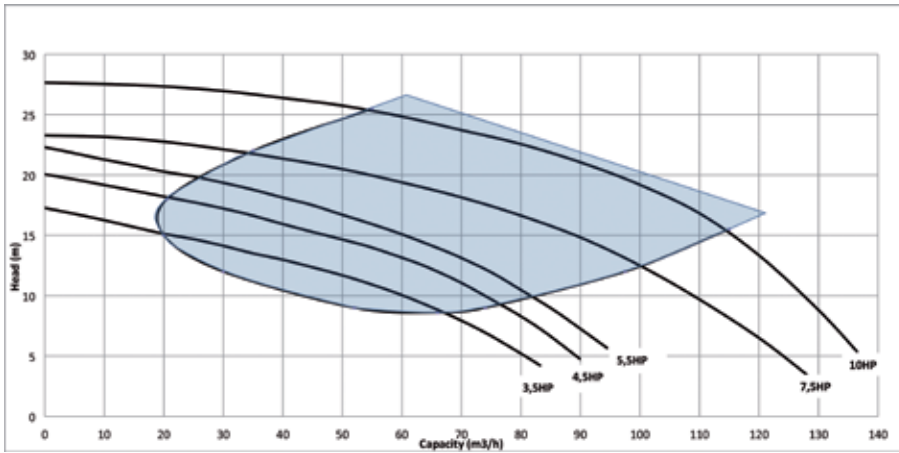
5PSP-350WS-3	λ 380V	3,50	2,60	110mm	90mm	26,40 Kg	860 x 375 x 600
5PSP-450WS-3	λ 380V	4,50	3,30	110mm	90mm	29,60 Kg	860 x 375 x 600
5PSP-550WS-3	λ 380V	5,50	4,00	110mm	90mm	29,70 Kg	860 x 375 x 600
5PSP-750WS-3	Δ 380V	7,50	5,60	110mm	110mm	62,60 Kg	950 x 445 x 635
5PSP-1000WS-3	Δ 380V	10,00	7,50	110mm	110mm	69,90 Kg	950 x 445 x 635



PSP™-SERIES

COMMERCIAL PLASTIC SELF-PRIMING PUMPS

DIMENSIONS AND PERFORMANCES



AVAILABLE FROM:

poolemea@pentair.com
www.pentairpooleurope.com

Copyright - Limited License: except as specifically permitted herein, no portion of the content on this document may be reproduced in any form or by any mean without the prior written permission of Pentair International SRL

Automation / Filters / Filter Systems / Pumps / Heat Pumps / Cleaners / White Goods / Lighting / Sanitizers / Salt Chlorinators / Dosing and Measuring Equipment / Maintenance Accessories / Water Features

NVA-BR-PSP-EN © 2013 Pentair International SRL. All Rights Reserved. Rev. 09-2013.



