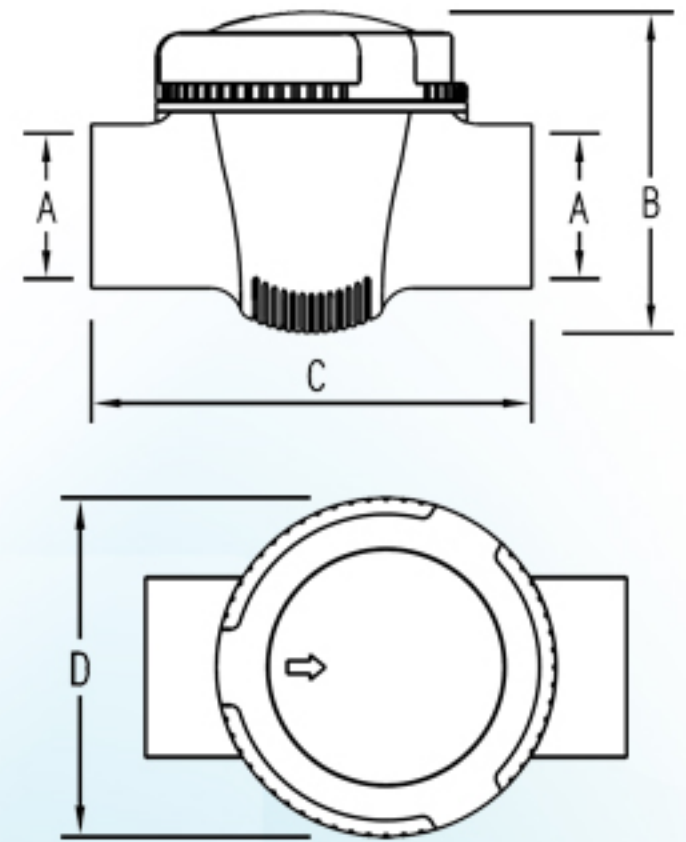
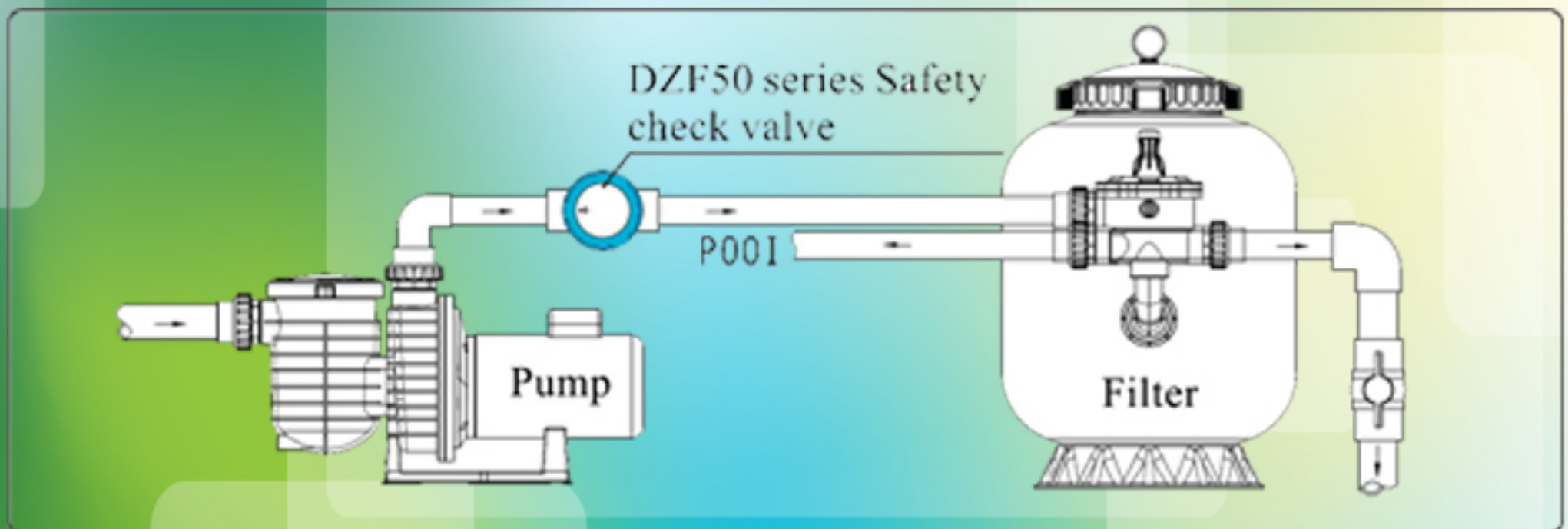


# Safety Check Valve



Model	A	B	C	D
DZF50-A	$\phi 60.2$	139	190	$\phi 134$



Installation Diagram

