

# “P-DG” SERIES FILTERS

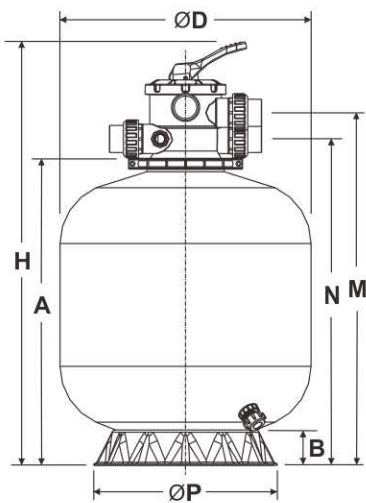


## ▼ Features:

- ⊙ Made of high density polyethylene material, corrosive-proof, safe and environmental.
- ⊙ Unitized thermal plastic filter tank tough, durable and suitable for many different weather condition.
- ⊙ Easy-to-use multiport valve lets you select any of the valve/filter operation with a simple lever-action.
- ⊙ Clamp lock is designed to allow 360 degree rotation to simplify installation.
- ⊙ Compact and save space.
- ⊙ These sand filters are applicable in all types of pool, spa, fountain, waterscape and aquarium.

## ▼ Main parts:

- ⊙ Easy-to-use six-position valve makes the selection of the valve/filter simple.
  - \* FILTER (Normal filtration and vacuuming).
  - \* BACKWASH (Clean filter by reversing the flow).
  - \* RINSE (Used after backwash to flush dirt from valve).
  - \* WASTE (By-passes filter, used for vacuuming to waste or lowering water level).
  - \* RECIRCULATE (By-passes filter for circulation water to pool).
  - \* CLOSE.
- ⊙ Unitized and durable tank.
- ⊙ Special drainage design, to easy draining of the tank, easy to maintain and ice-free in winter.



Standard: plastic clamp



Optional: stainless steel clamp

φ D(mm)	350	410	450	535	635	710
H(mm)	750	770	830	870	970	1040
B(mm)	75	75	75	75	95	95
A(mm)	490	510	570	610	710	780
φ P(mm)	319	319	390	390	565	565
N(mm)	545	565	625	665	765	835
M(mm)	600	620	680	720	820	890

Model	Pipe Size (inches)	Filter Area (m <sup>2</sup> )	Design Flow (m <sup>3</sup> /h)	0.5-0.8mm Sand Weight (kg)	Tank Volume (m <sup>3</sup> )	Valve Volume (m <sup>3</sup> )	Tank Weight (kg)	Valve Weight (kg)
P-DG350	1.5	0.10	4.50	25	0.06	0.02	4.0	3
P-DG400	1.5	0.13	6.50	34	0.09	0.02	5.0	3
P-DG450	1.5	0.16	8.00	50	0.15	0.02	6.5	3
P-DG500	1.5	0.23	11.50	80	0.20	0.02	9.2	3
P-DG650	1.5	0.32	16.00	160	0.32	0.02	12.1	3
P-DG700	1.5	0.40	20.00	220	0.42	0.02	17.0	3

MAXIMUM WORKING PRESSURE: 36psi/2.5kg/cm<sup>2</sup>(PLASTIC CLAMP)

MAXIMUM OPERATING WATER TEMPERATURE ≤ 50°C