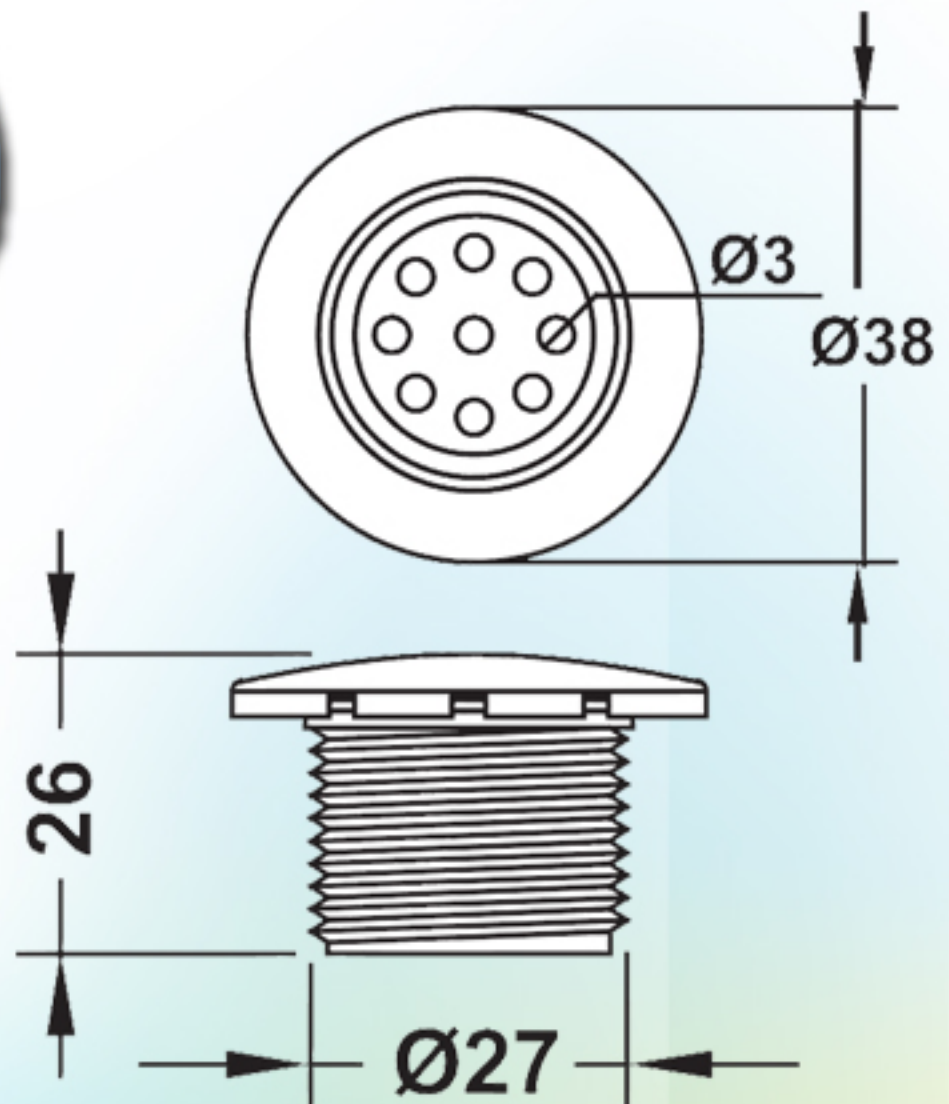


Jet Fittings



Model Code	Description	Material
2211A	Nine Hole Jet	ABS