



FIBREGASS HORIZONTAL SAND FILTERS



Cover Lid



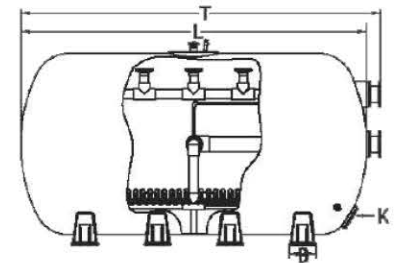
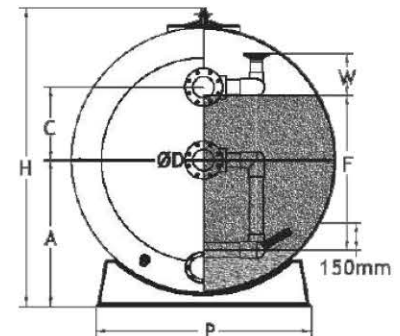
Sand Drain

- UV inhibited filament wound structural fibreglass tanks.
- Structural fibreglass/polyester bases for superior tank support.
- Fully pressure tested at factory.
- Exclusive features for superior performance.
- Offering attractive value to feature ratio.

- **Maximum Working Pressure:** 250kpa/36psi/2.5bar or 400kpa/58psi/4.0bar.
- **Factory Testing Pressure:** 400kpa/58psi/4.0bar or 600kpa/86psi/6.0bar.
- **Maximum Temperature:** 50°C(122F).
- **Size of Gravel:** 1mm~2mm.
- **Size of Silica Sand:** 0.5mm~0.8mm.

TECHNICAL PARAMETERS

Model	Tank Diameter (mm)	Tank Height (mm)	Design Flow (m³/h)	Filter Area (m²)	Connections (mm)	Sand Weight (kg)	Grave Weight (kg)
HI121900	1200	1390	59	1.96	80	1100	425
HI122300	1200	1390	73	2.42	80	1425	550
HI122500	1200	1390	79	2.65	80	1750	700
HI122700	1200	1390	86	2.87	100	2075	825
HI123000	1200	1390	96	3.21	100	2325	925
HI141900	1400	1600	67	2.23	100	2100	575
HI142500	1400	1600	91	3.02	100	2825	800
HI143000	1400	1600	110	3.67	100	3450	1000
HI161900	1600	1830	74	2.47	100	2850	600
HI162500	1600	1830	101	3.36	100	3875	850
HI163000	1600	1830	123	4.1	150	4750	1050
HI182500	1800	2050	112	3.74	150	4850	975
HI183000	1800	2050	137	4.58	150	5925	1225
HI183500	1800	2050	162	5.41	150	7000	1475
HI202500	2000	2220	130	4.34	150	6575	1050
HI203000	2000	2220	159	5.3	150	8025	1300
HI203500	2000	2220	187	6.25	150	9475	1550
HI204000	2000	2220	216	7.21	200	10437	2288
HI204500	2000	2220	245	8.16	200	12375	2075



Model	HI121900	HI122300	HI122500	HI122700	HI123000	HI141900	HI142500	HI143000	HI161900	HI162500	HI163000	HI182500	HI183000	HI183500	HI202500	HI203000	HI203500	HI204000	HI204500
ØD(mm)	1200	1200	1200	1200	1200	1400	1400	1400	1600	1600	1600	1800	1800	1800	2000	2000	2000	2000	2000
H(mm)	1390	1390	1390	1390	1390	1600	1600	1600	1830	1830	1830	2050	2050	2050	2220	2220	2220	2220	2220
A(mm)	725	725	725	725	725	810	810	810	925	925	925	1040	1040	1040	1090	1090	1090	1090	1090
B(mm)	250	250	250	250	250	300	300	300	300	300	300	300	300	300	330	330	330	330	330
C(mm)	340	340	340	340	340	400	400	400	450	450	450	550	550	550	550	550	550	550	550
K(mm)	180	180	180	180	180	180	180	180	180	180	180	180	180	180	180	180	180	180	180
L(mm)	1900	2300	2500	2700	3000	1900	2500	3000	1900	2500	3000	2500	3000	3500	2500	3000	3500	4000	4500
P(mm)	900	900	900	900	900	960	960	960	1230	1230	1230	1380	1380	1380	1500	1500	1500	1500	1500
T(mm)	2050	2450	2650	2850	3150	2150	2650	3150	2100	2700	3200	2700	3200	3700	2730	3230	3730	4230	4730
F(mm)	550	550	550	550	550	750	750	750	910	910	910	1000	1000	1000	1000-1200	1000-1200	1000-1200	1000-1200	1000-1200
W(mm)	225	225	225	225	225	225	225	225	250	250	250	300	300	300	400	400	400	400	400